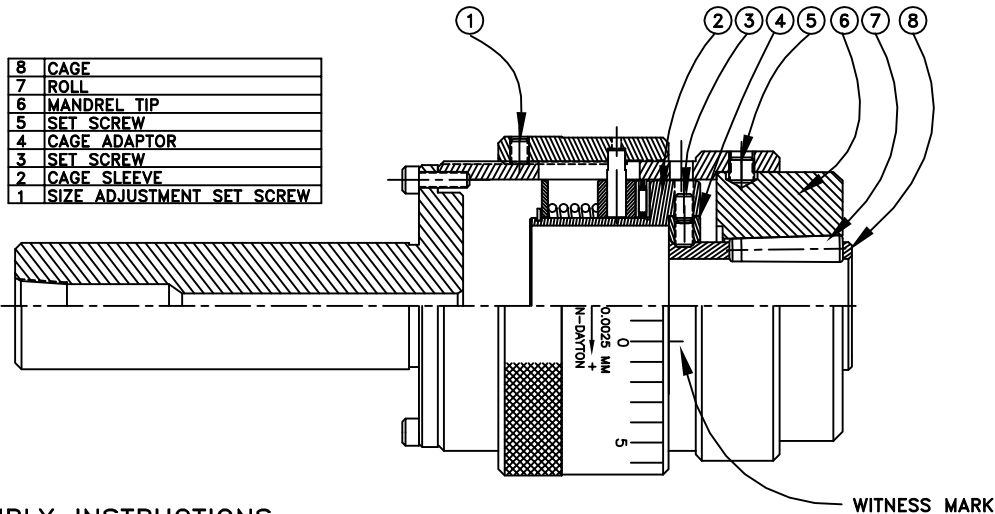


**SERIES 5452 OD BURNISHING TOOLS
ASSEMBLY AND SETTING INSTRUCTIONS
(DIAMETER RANGE .500 TO 1.500 INCHES)**



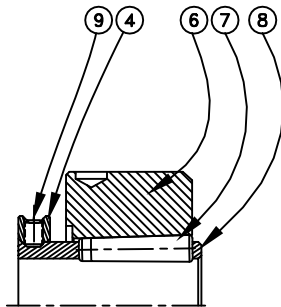
8	CAGE
7	ROLL
6	MANDREL TIP
5	SET SCREW
4	CAGE ADAPTOR
3	SET SCREW
2	CAGE SLEEVE
1	SIZE ADJUSTMENT SET SCREW

ASSEMBLY INSTRUCTIONS:

TO REPLACE THE CAGE, MANDREL OR ROLLS; USE THE FOLLOWING STEPS:

- 1) LOOSEN THE (3) CAGE SLEEVE SET SCREWS (DETAIL 3)
- 2) LOOSEN THE (3) MANDEL TIP SET SCREWS (DETAIL 5)

ONCE THE 2 SET SCREWS HAVE BEEN LOOSENED YOU WILL BE ABLE TO REMOVE THE MANDREL TIP, CAGE AND ROLLS FROM THE HOUSING AS SHOWN TO THE LEFT.



ON TOOL DIAMETES BETWEEN .500 TO 1.250 INCHES THERE WILL BE A CAGE ADAPTOR (DETAIL 4). LOOSEN THE (3) SET SCREWS (DETAIL 9) AND REMOVE THE CAGE ADAPTOR. THE CAGE AND ROLL CAN THEN BE REMOVED FROM THE MANDREL TIP.

REPLACE THE WORN COMPONENTS AND REASSEMBLE THE TOOL.

SETTING INSTRUCTIONS:

TO SET THE TOOL DIAMETER, LOOSEN THE SIZE ADJUSTMENT SET SCREW (DETAIL 1). WHEN HOLDING THE SHANK OF THE TOOL, ROTATE COUNTER CLOCKWISE TO DECREASE THE DIAMETER AND CLOCKWISE TO INCREASE THE DIAMETER.

USING A PART THAT HAS BEEN PREPARED FOR BURNISHING, SLIDE THE TOOL OVER THE PART AND DECREASE THE DIAMETER UNTIL THE ROLLS MAKE CONTACT WITH THE SURFACE. REMOVE THE TOOL FROM THE PART AND DECREASE THE TOOL DIAMETER USING THE WITNESS MARK AND THE INCREMENTED DIAMETER ADJUSTMENTS. EACH MARK EQUALS .0001 INCHES. THE TOOL SHOULD BE DECREASED BASED ON THE AMOUNT OF STOCK LEFT FOR BURNISHING.

AFTER THE DIAMETER HAS BEEN SET, TIGHTEN THE SET SCREW (DETAIL 1)