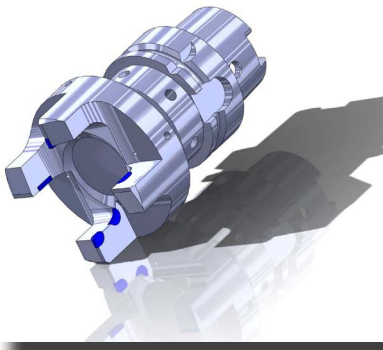
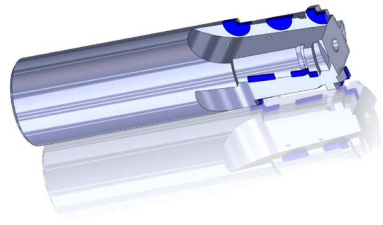
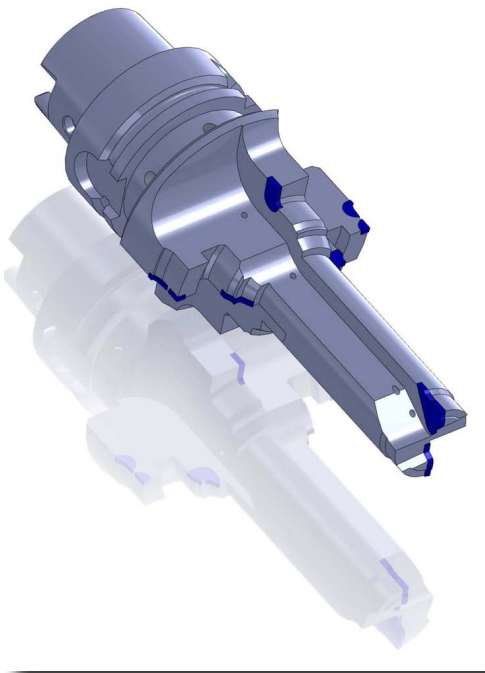


Monaghan Tooling Group is proud to be *the master distributor* for UC Tools PCD tooling.



UC Tools is a **world class** manufacturer of custom PCD tipped round tools for all applications such as:

- boring
- reaming
- drilling
- milling

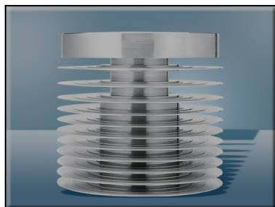
UC Tools has the capability to manufacture tools with very complex geometries, solid carbide bodies and with the following shanks: HSK, CAT, BT, flange mount (Module) and other connections.

What sets UC Tools apart from their competition is years of experience working with the most demanding customers, superior design and manufacturing capabilities with state-of-the-art CAD, CAM, grinding, EDM and inspection equipment.



Conventional applications for UC Tools are:

- Brake components - ABS & ESP valve bodies and master cylinders
- Steering components - rack and pinion housings and electric steering housings
- Transmission components - valve bodies and cases
- Cylinder heads and cylinder blocks
- Throttle bodies (diesel)
- Engine management systems, fuel pumps, turbochargers and water pumps
- Small engines and drive train components for lawn and garden, recreational vehicles, etc.
- Any high volume aluminum or magnesium casting with precision machined features



**UC Tools are also experts in re-tipping and re-grinding any PCD tipped tooling -
*including their competitors tooling!!***

The reason MTG has been so successful marketing UC Tools is that we are both **100% dedicated** to excellent customer service, which is displayed every day through consistent, on-time deliveries and superior technical support.

Call us today to discuss your PCD tooling needs!

