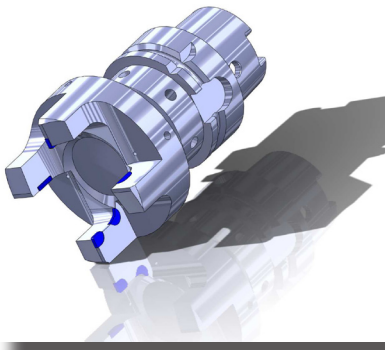
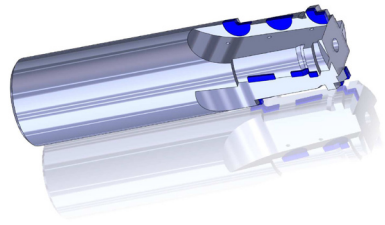
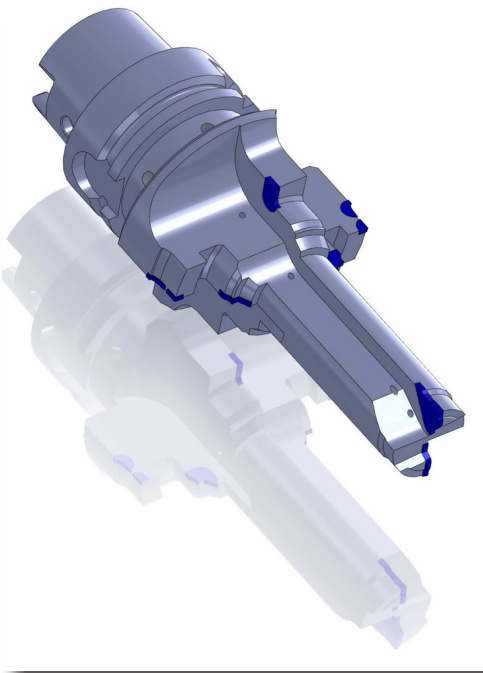


**Monaghan Advanced Tooling Technology Group is proud to be  
the master distributor for UC Tools PCD tooling.**

---



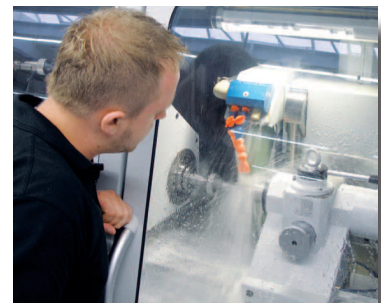
UC Tools is a **world class** manufacturer of custom PCD tipped round tools for all applications such as:

- boring
- reaming
- drilling
- milling

UC Tools has the capability to manufacture tools with very complex geometries, solid carbide bodies and with the following shanks: HSK, CAT, BT, flange mount (Module) and other connections.

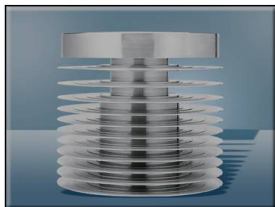
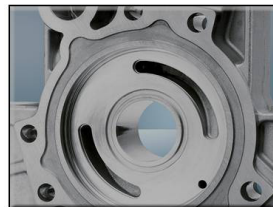
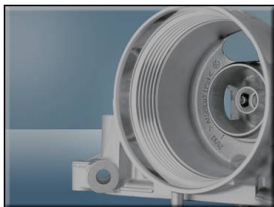
---

What sets UC Tools apart from their competition is years of experience working with the most demanding customers, superior design and manufacturing capabilities with state-of-the-art CAD, CAM, grinding, EDM and inspection equipment.



## Conventional applications for UC Tools are:

- Brake components - ABS & ESP valve bodies and master cylinders
- Steering components - rack and pinion housings and electric steering housings
- Transmission components - valve bodies and cases
- Cylinder heads and cylinder blocks
- Throttle bodies (diesel)
- Engine management systems, fuel pumps, turbochargers and water pumps
- Small engines and drive train components for lawn and garden, recreational vehicles, etc.
- Any high volume aluminum or magnesium casting with precision machined features



**UC Tools are also experts in re-tipping and re-grinding any PCD tipped tooling -  
*including their competitors tooling!!***

The reason MATTG has been so successful marketing UC Tools is that we are both **100% dedicated** to excellent customer service, which is displayed every day through consistent, on-time deliveries and superior technical support.

***Call us today to discuss your PCD tooling needs!***

